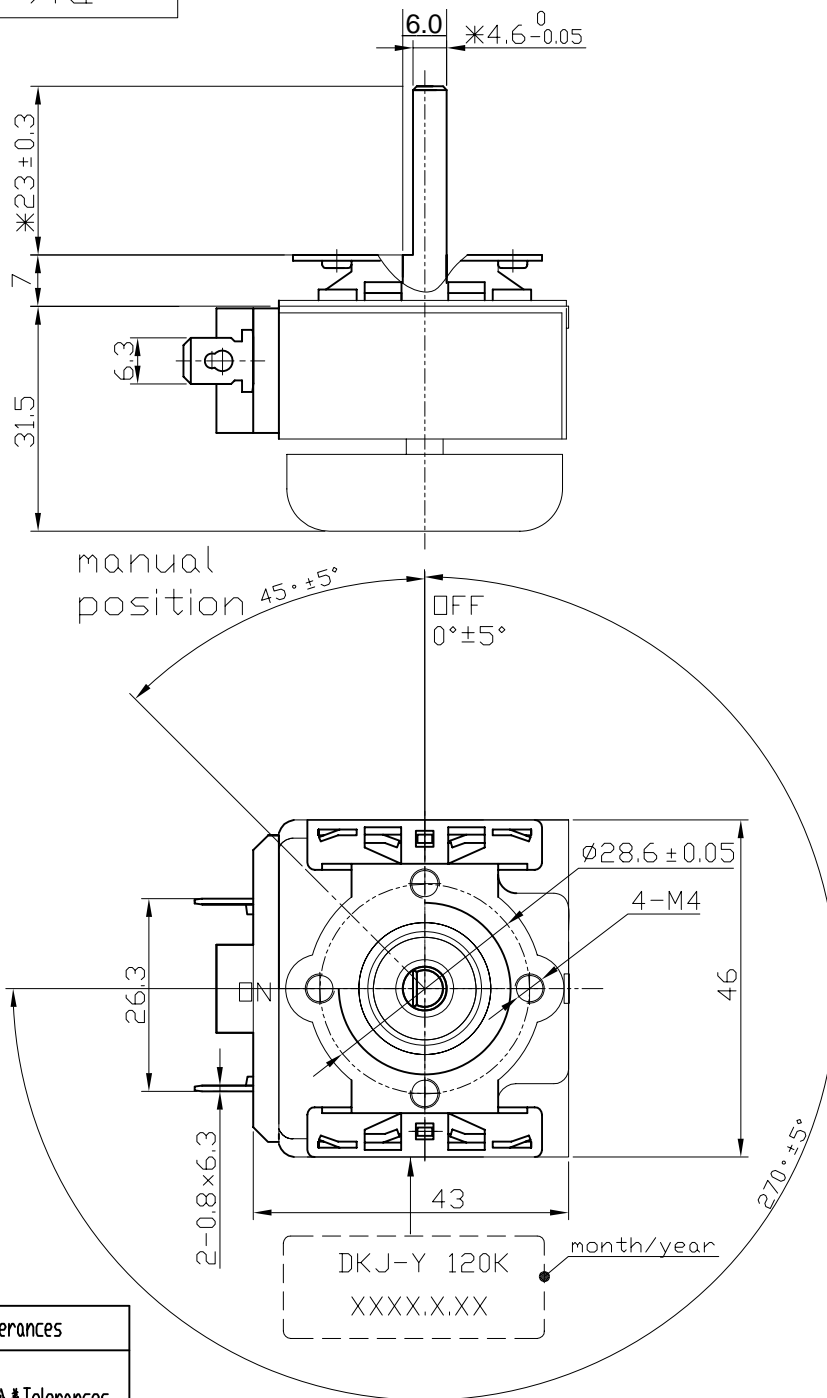
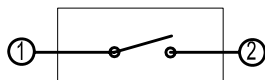


DKJ-Y-120



未注公差 Unspecified Dimension Tolerances		
基本尺寸 Basic Dimension		公差 Tolerances
大于 From	至 To	
-	10	±0.05
10	50	±0.1
50	100	±0.2
100	200	±0.3
200	400	±0.5
400	-	±0.8



- The technical requirements:
1. Running: 120' ± 5%
 2. Rated Capacity: 15A/125VAC
16A/250VAC 50Hz/60Hz
 3. Working Temperature: -10℃ ~ 125℃
 4. Operating torque: 0.1 ~ 0.5N·m

				TECHNICAL DRAWING					
DESIGNED BY		Wrzhang		PROCESS				DKJ-Y-120	
DRAWN BY				STANDARD					
CHECKED BY				APPROVE BY				HANGZHOU TIANMA TIME-CONTROL SI-TECH CO., LTD	
		DATE		17.5.16		1			
				MARKED		WEIGHT		SCALE	
				S A B		1		1:1	